



News Letter

No. NL100622

Solid Bushing Chain

June 22nd, 2010

D.I.D Co., Ltd.

What is DID *Solid Bushing* ?

*Seamless Smooth Surface
and
Precise Circularity*

*Improving Wear Life up to 50%**

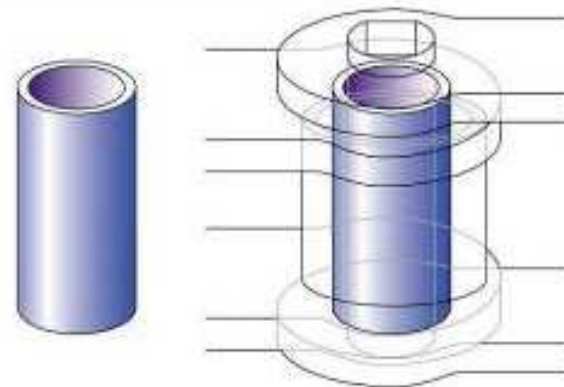
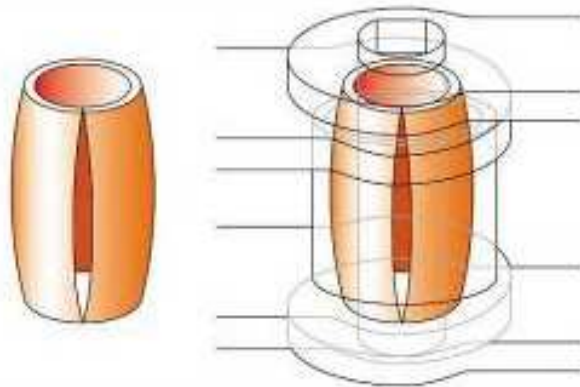
*compared to Conventional Split Bushing

What is DID *Solid Bushing* ?

Curled Bushing vs. **Solid Bushing**

(Split)

(Seamless)



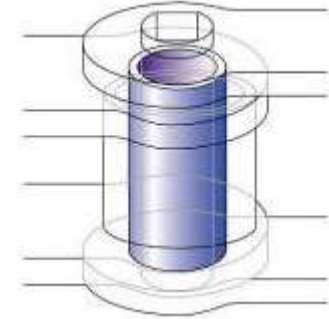
What is DID *Solid Bushing* ?

What brings *Longer Wear Life*?

Circularity of Bushing



*Optimum Contact at
Bearing Area*



What is DID *Solid Bushing* ?

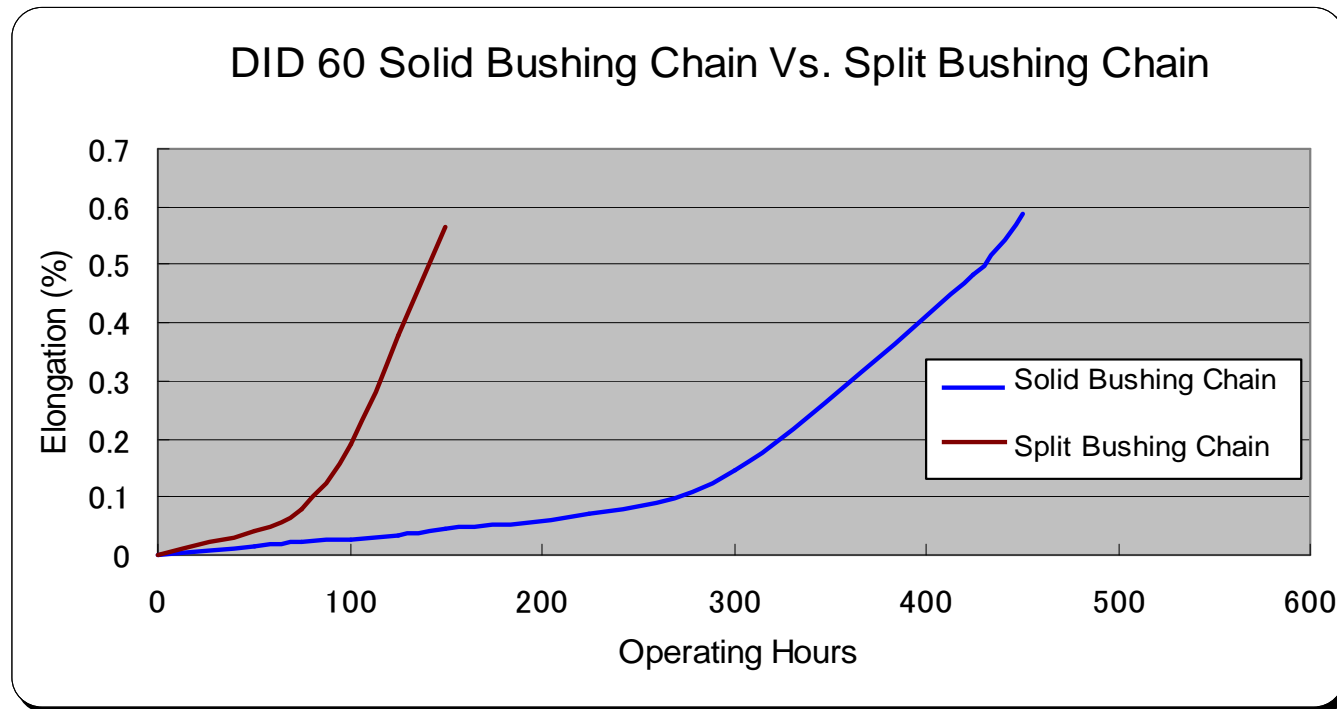
Because Chain Elongation

Results from

Wear of Bushing & Pin



What is DID *Solid Bushing* ?



- 1) Sprocket Drive X Driven 25NT X 15NT
- 2) Speed 200m/min., 420rpm
- 3) Chain Tension 300kgf
- 4) Chain Length 80 Pitches